

Adventure AL Headset

MODEL NO. 350027

Proper installation and adjustment require specialized tools and expertise. It is advisable to have these services performed by a professional mechanic at a bike shop.

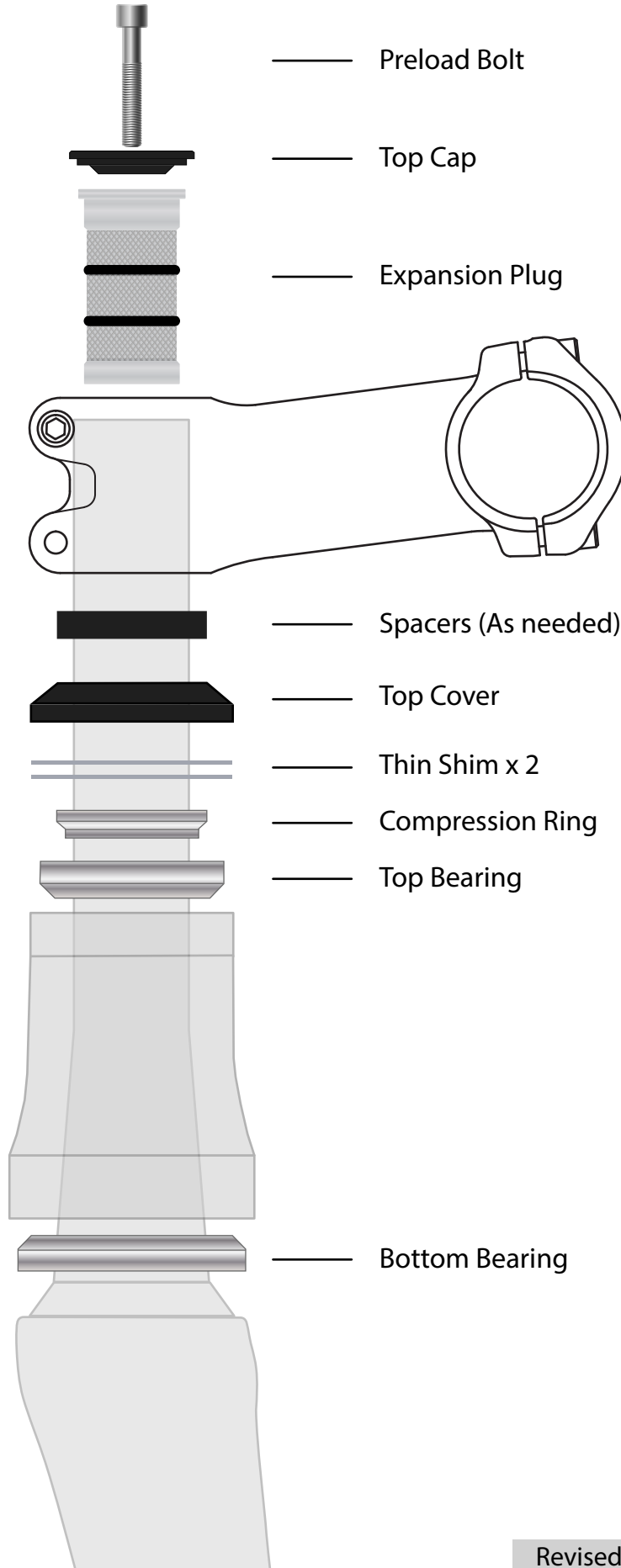
⚠ WARNING

Failure to install this headset properly may result in damage to your bicycle, serious injury, and/or death.

Bicycle Stem

Bicycle Headtube

Bicycle Fork



Preload Bolt

Top Cap

Expansion Plug

Spacers (As needed)

Top Cover

Thin Shim x 2

Compression Ring

Top Bearing

Bottom Bearing